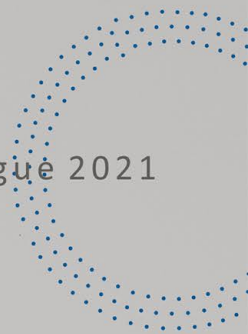


TYQOON GROUP

catalogue 2021

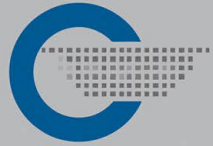


BEAUTY
Trend

800x2400mm
1200x2400mm

COLOR BODY
SLABS





TYQOON GROUP

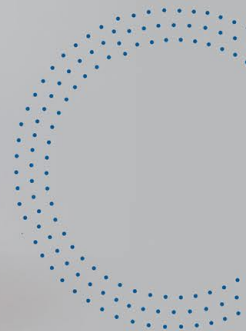


OUR STORY

TYQOON Group is a Premier Producer and exporter of Porcelain Tiles and Slabs from Ceramic city Morbi, India. We have been committed to innovation and creation in designs that are forward looking demand of market scenario. We endure gratification for each luxury which that we offer, developed to share something truly magnificence.

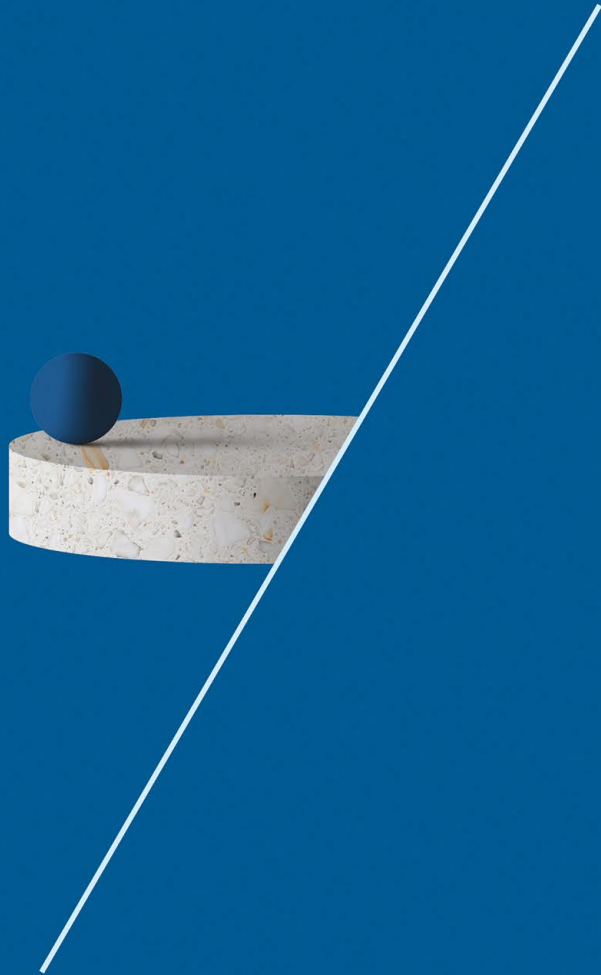
Our Production plants are equipped with cutting age modern technology and great automation. There is a zero chance for human error in Production facilities. To create symbol, huge production capacity, Imported Machinery, and well experienced technical staff are always ready to meet global demand. Best architecture and interior design are always been our inspiration for our numbers of designs.

Wide range of Sizes and different thicknesses are best part of our collection that gives lots of option to end user. Due to our core principle of business and qualitative products helped us to achieve good name in international market. To become a market leader we truly behave and believe in quality, durability and reliability.



WE ARE

COMMITTED TO TECHNOLOGY THAT
ENVISIONS THE FUTURE

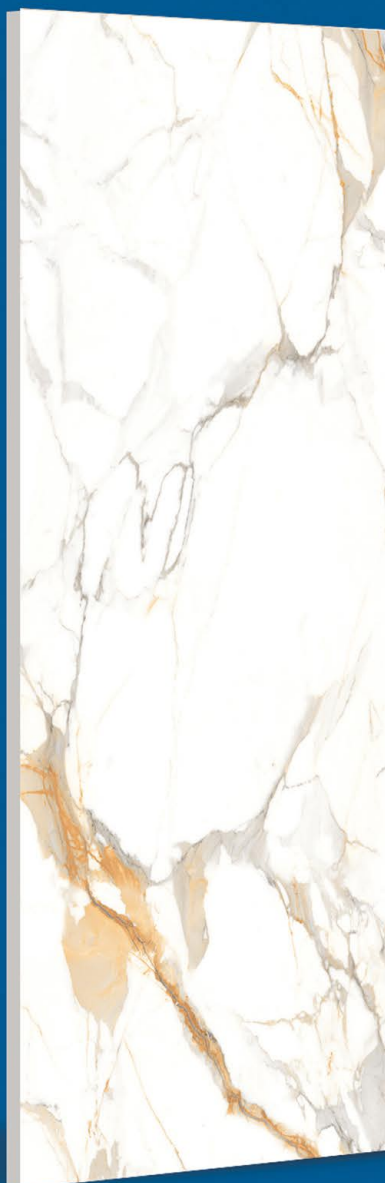


COLOUR BODY SLABS
GLOSSY

page no.
01

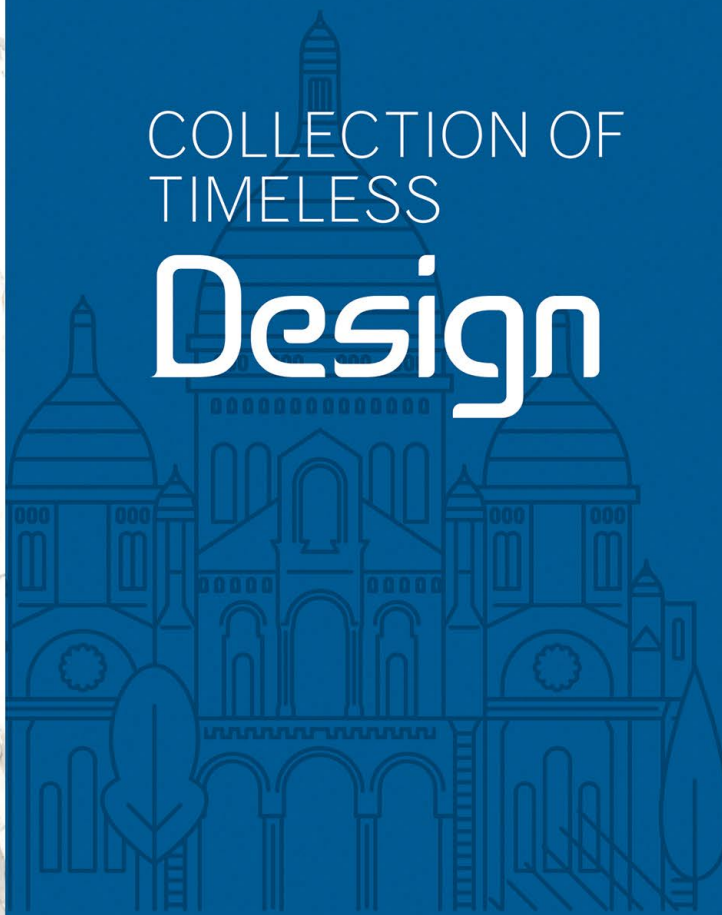


TYQOON GROUP



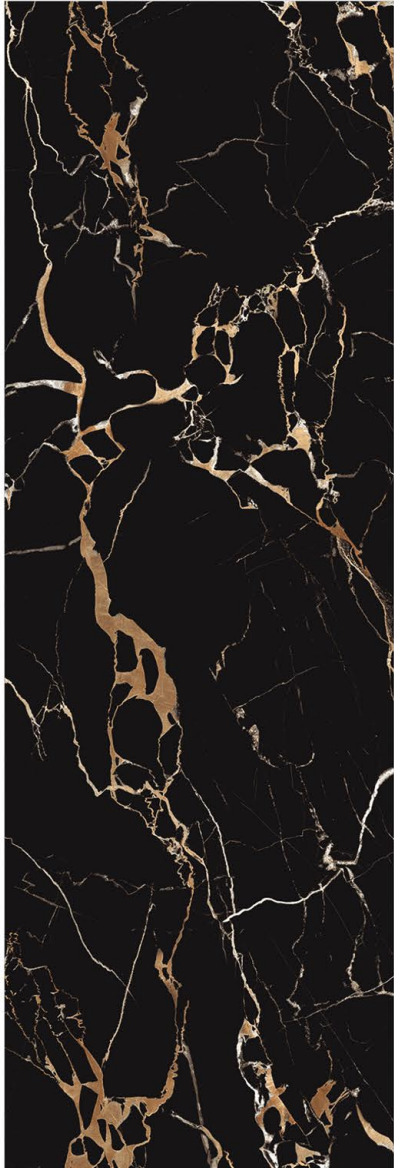
COLLECTION OF
TIMELESS

Design



GLOSSY SURFACE

AMBRATO GOLD
PLAZMA



TYQOON GROUP

COLOR BODY SLABS

SIZE :
800x2400mm,
1200x2400mm.

SURFACE
GLOSSY

THICKNESS
15mm, 18mm



Kitchen Unit Top



Corridors & Halls



Dining Table



Interior

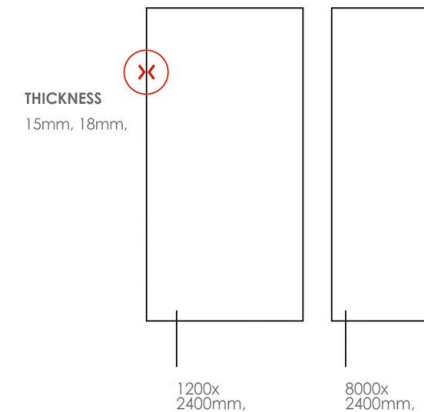


Bathtub



Public Parks & Garden

Available size in



APUANE STATUARIO



TYQOON GROUP

COLOR BODY SLABS

SIZE :
800x2400mm,
1200x2400mm.

SURFACE
GLOSSY

THICKNESS
15mm, 18mm



Kitchen Unit Top



Corridors & Halls



Dining Table



Interior

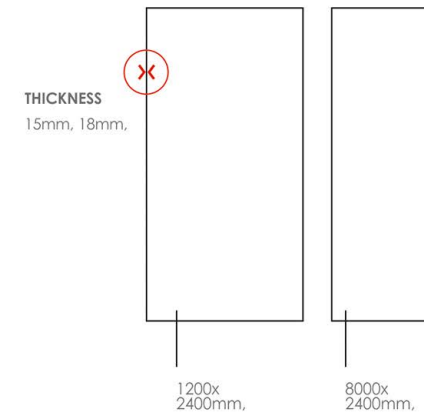


Bathtub



Public Parks & Garden

Available size in



BLACK PEARL



TYQOON GROUP

COLOR BODY SLABS

SIZE :
800x2400mm,
1200x2400mm.

SURFACE
GLOSSY

THICKNESS
15mm, 18mm



Kitchen Unit Top



Corridors & Halls



Dining Table



Interior

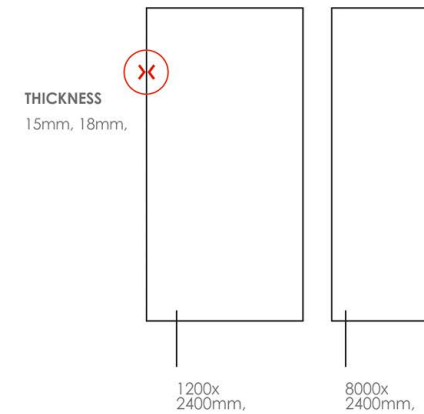


Bathtub

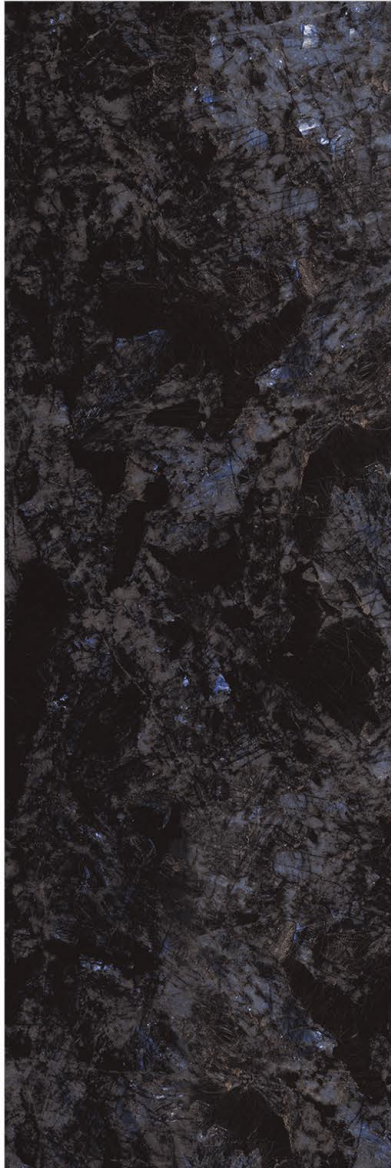


Public Parks & Garden

Available size in



BLUE PEARL



COLOR BODY SLABS

SIZE :
800x2400mm,
1200x2400mm.

SURFACE
GLOSSY

THICKNESS
15mm, 18mm



Kitchen Unit Top



Corridors & Halls



Dining Table



Interior

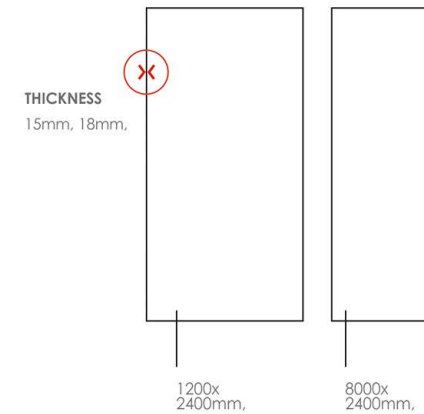


Bathtub



Public Parks & Garden

Available size in



CALCATA ELITE



COLOR BODY SLABS

SIZE :
800x2400mm,
1200x2400mm.

SURFACE
GLOSSY

THICKNESS
15mm, 18mm



Kitchen Unit Top



Corridors & Halls



Dining Table



Interior

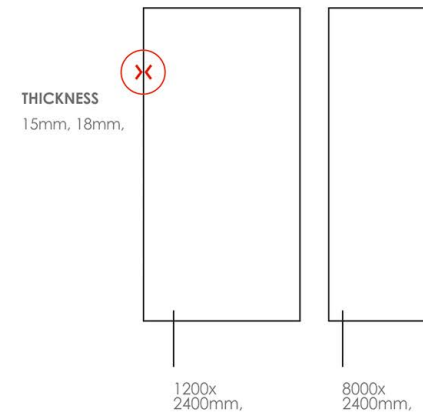


Bathtub



Public Parks & Garden

Available size in



CRYSTAL ONYX



TYQOON GROUP

COLOR BODY SLABS

SIZE :
800x2400mm,
1200x2400mm.

SURFACE
GLOSSY

THICKNESS
15mm, 18mm



Kitchen Unit Top



Corridors & Halls



Dining Table



Interior

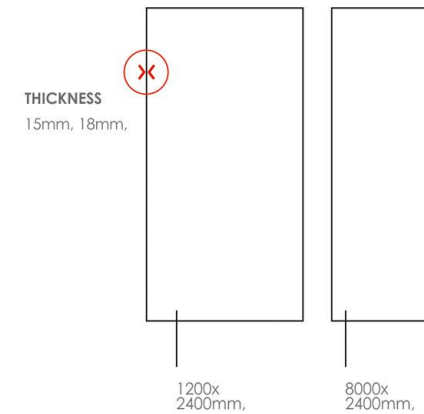


Bathtub

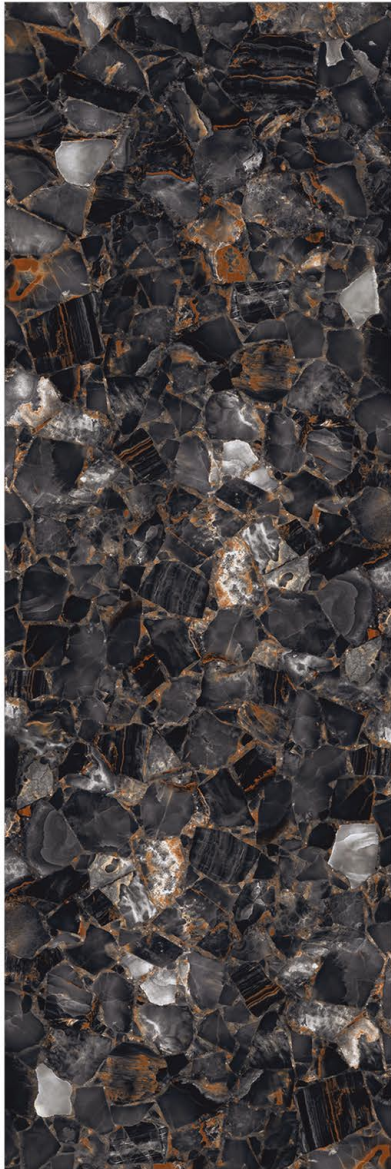


Public Parks & Garden

Available size in



EMERALD PEARL



COLOR BODY SLABS

SIZE :
800x2400mm,
1200x2400mm.

SURFACE
GLOSSY

THICKNESS
15mm, 18mm



Kitchen Unit Top



Corridors & Halls



Dining Table



Interior

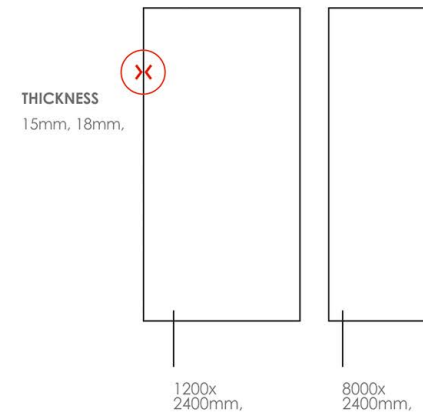


Bathtub

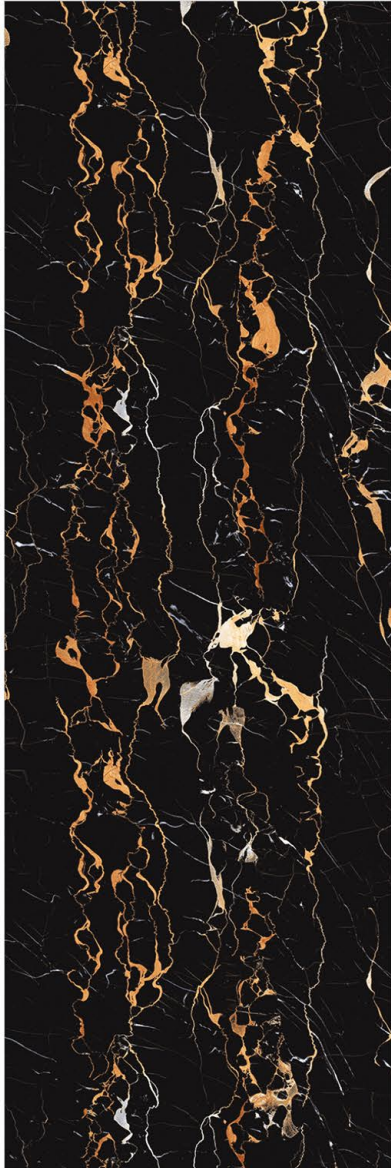


Public Parks & Garden

Available size in



GOLDEN PORTORO



TYQOON GROUP

COLOR BODY SLABS

SIZE :
800x2400mm,
1200x2400mm.

SURFACE
GLOSSY

THICKNESS
15mm, 18mm



Kitchen Unit Top



Corridors & Halls



Dining Table



Interior

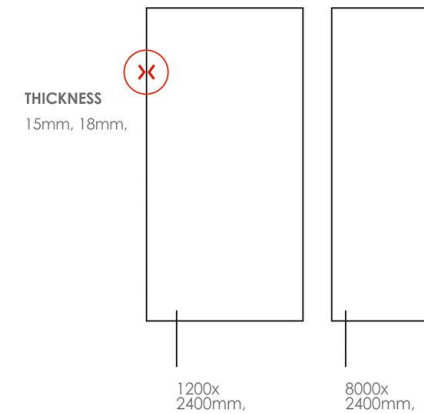


Bathtub



Public Parks & Garden

Available size in



HEMATITE BLACK



TYQOON GROUP

COLOR BODY SLABS

SIZE :
800x2400mm,
1200x2400mm.

SURFACE
GLOSSY

THICKNESS
15mm, 18mm



Kitchen Unit Top



Corridors & Halls



Dining Table



Interior

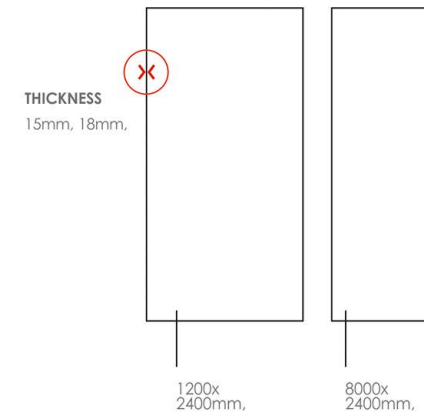


Bathtub



Public Parks & Garden

Available size in



IMPERIAL WHITE



TYQOON GROUP

COLOR BODY SLABS

SIZE :
800x2400mm,
1200x2400mm.

SURFACE
GLOSSY

THICKNESS
15mm, 18mm



Kitchen Unit Top



Corridors & Halls



Dining Table



Interior

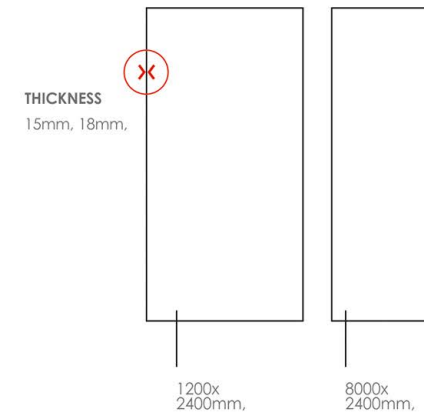


Bathtub

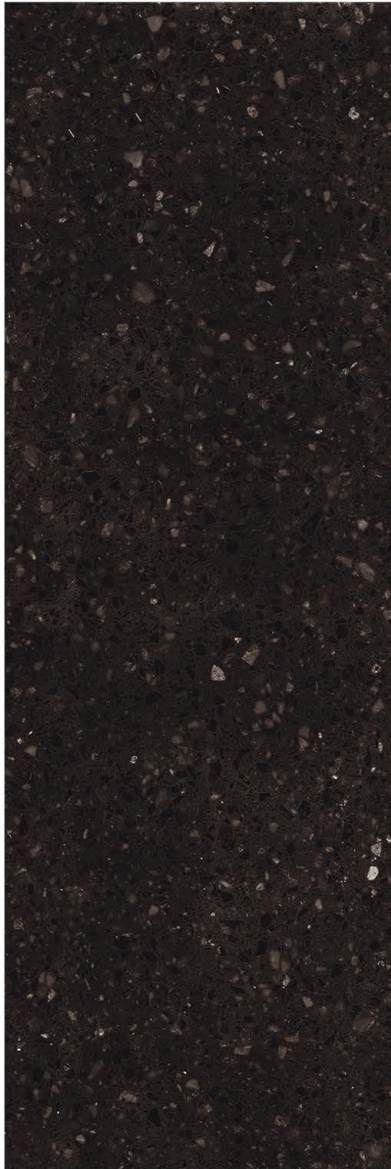


Public Parks & Garden

Available size in



LABRADOR BLACK



COLOR BODY SLABS

SIZE :
800x2400mm,
1200x2400mm.

SURFACE
GLOSSY

THICKNESS
15mm, 18mm



Kitchen Unit Top



Corridors & Halls



Dining Table



Interior

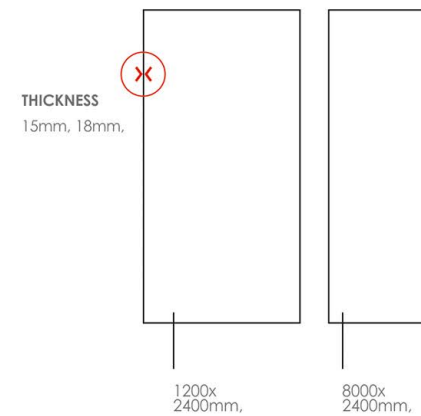


Bathtub

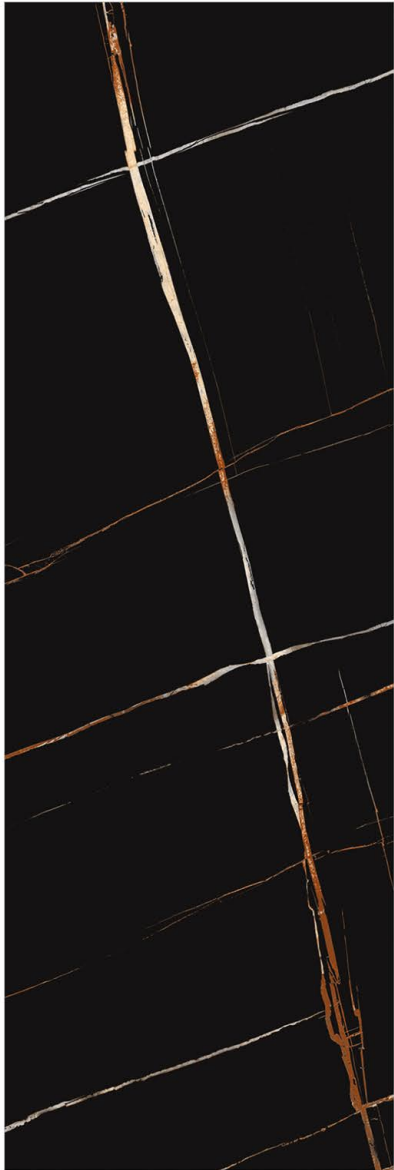


Public Parks & Garden

Available size in



LOURENT GOLD



COLOR BODY SLABS

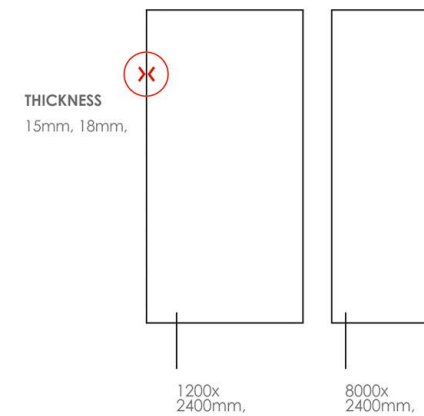
SIZE :
800x2400mm,
1200x2400mm.

SURFACE
GLOSSY

THICKNESS
15mm, 18mm



Available size in



MARBLE VOLAKAS



COLOR BODY SLABS

SIZE :
800x2400mm,
1200x2400mm.

SURFACE
GLOSSY

THICKNESS
15mm, 18mm



Kitchen Unit Top



Corridors & Halls



Dining Table



Interior

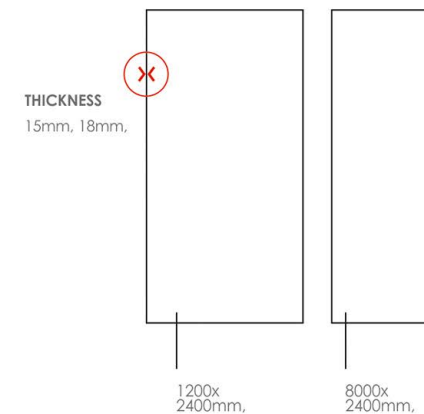


Bathtub

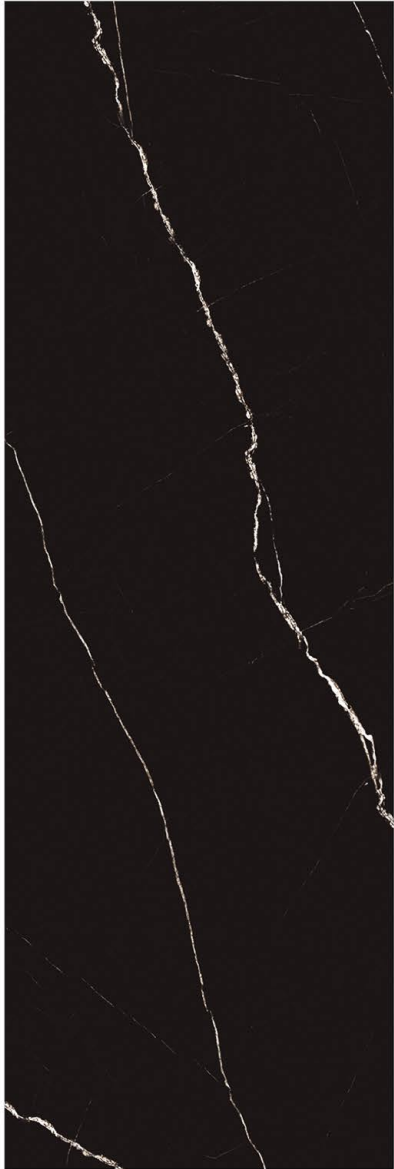


Public Parks & Garden

Available size in



MARQUINA



COLOR BODY SLABS

SIZE :
800x2400mm,
1200x2400mm.

SURFACE
GLOSSY

THICKNESS
15mm, 18mm



Kitchen Unit Top



Corridors & Halls



Dining Table



Interior

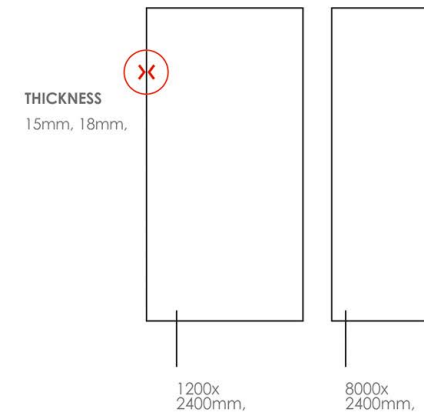


Bathtub



Public Parks & Garden

Available size in



PORTORO BLACK



TYQOON GROUP

COLOR BODY SLABS

SIZE :
800x2400mm,
1200x2400mm.

SURFACE
GLOSSY

THICKNESS
15mm, 18mm



Kitchen Unit Top



Corridors & Halls



Dining Table



Interior

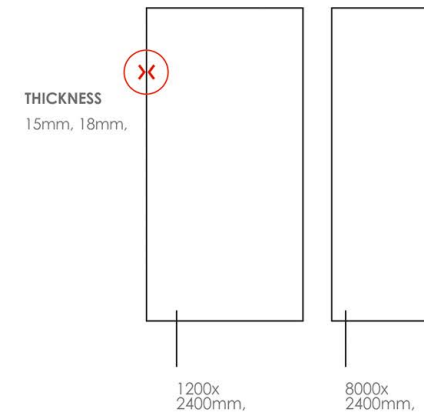


Bathtub



Public Parks & Garden

Available size in





ROSE BLACK



COLOR BODY SLABS

SIZE :
800x2400mm,
1200x2400mm.

SURFACE
GLOSSY

THICKNESS
15mm, 18mm



Kitchen Unit Top



Corridors & Halls



Dining Table



Interior

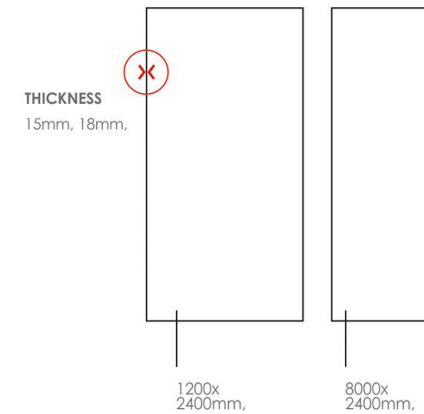


Bathtub



Public Parks & Garden

Available size in



STATUARIO
CALACATTA



TYQOON GROUP

COLOR BODY SLABS

SIZE :
800x2400mm,
1200x2400mm.

SURFACE
GLOSSY

THICKNESS
15mm, 18mm



Kitchen Unit Top



Corridors & Halls



Dining Table



Interior

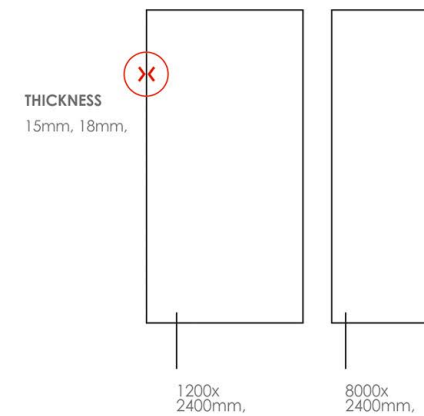


Bathtub

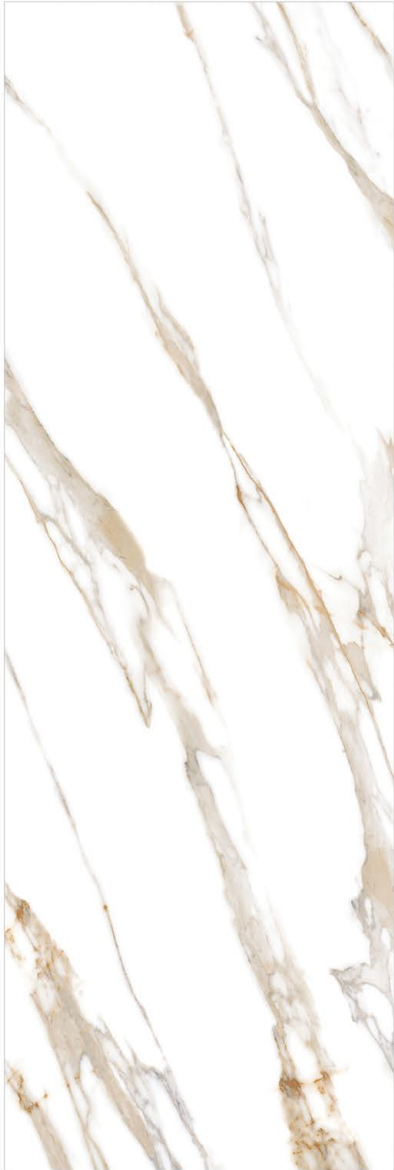


Public Parks & Garden

Available size in



STATUARIO
LUCIDATO



TYQOON GROUP

COLOR BODY SLABS

SIZE :
800x2400mm,
1200x2400mm.

SURFACE
GLOSSY

THICKNESS
15mm, 18mm



Kitchen Unit Top



Corridors & Halls



Dining Table



Interior

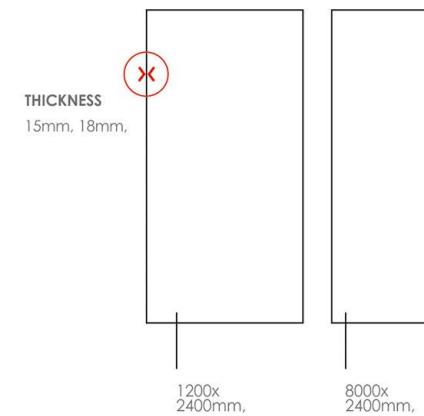


Bathtub



Public Parks & Garden

Available size in





STATUARIO PEARL



TYQOON GROUP

COLOR BODY SLABS

SIZE :
800x2400mm,
1200x2400mm.

SURFACE
GLOSSY

THICKNESS
15mm, 18mm



Kitchen Unit Top



Corridors & Halls



Dining Table



Interior

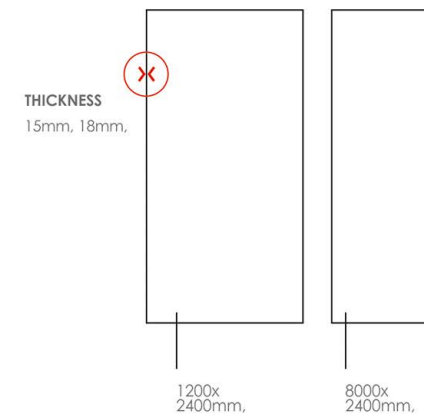


Bathtub



Public Parks & Garden

Available size in



TERRAZZO WHITE



COLOR BODY SLABS

SIZE :
800x2400mm,
1200x2400mm.

SURFACE
GLOSSY

THICKNESS
15mm, 18mm



Kitchen Unit Top



Corridors & Halls



Dining Table



Interior

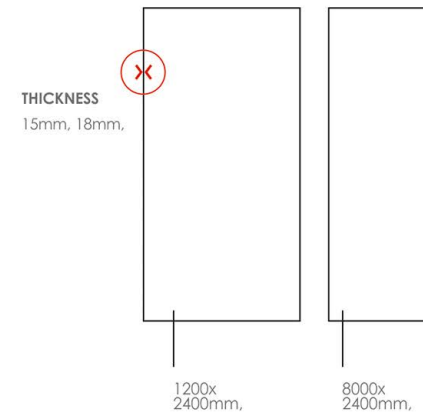


Bathtub



Public Parks & Garden

Available size in



INSTALLATION SUGGESTIONS



TRADITIONAL FLOOR LAYING

Laying TYQOON GROUP requires similar laying conditions to those required for traditional formats. Requires the adhesive to be applied both on the setting bed and on the back of the tile.

TYQGOON GROUP TILES FOR FLOORING REQUIRE THE FOLLOWING CONDITIONS:

- A flat surface.
- Clean and free from dust, scraps and any lumps of cement;
- The setting bed must be uniform and have already undergone the drying shrinkage process;
- Repair of any cracks;
- Any uneven parts on the surface must be filled with suitable levelling compounds.

INSTRUMENTS REQUIRED

- Cement-based powder adhesive for full spread
- 3x3mm square toothed trowel and 15mm round toothed trowel;
- Frame with suction cups for handling or double suction cups;
- Non-bounce plastic mallet 170x370mm;
- Levelling system: base clip + wedge + pliers.

PROCESSING STAGES

BONDING TO THE FLOOR

- (01) Ensure that the surface to be covered is solid, flat and free from dust and oil/grease.
- (02) Use the adhesives described above mixed according to the specifications indicated in the technical data sheet of the chosen adhesive.
- (03) Spread the adhesive onto the surface to be covered with a 15mm round toothed trowel across an area of 5/10 cm more than the dimensions of the Tile.
- (04) With the tile in a vertical position on the handling frame, spread the adhesive onto the back of the slab with a 3x3mm square toothed trowel.
- (05) Using the frame with suction cups, bring the tile into a horizontal position and lay it.
- (06) To guarantee uniform bonding of the slab, the special 170x370mm non-bounce plastic mallet must be used, tapping from the middle towards the edges so as to remove any air pockets between the back of the tile, the adhesive and the surface to be tiled.
- (07) Using the levelling system.

LEVELLING SYSTEM

The levelling system aims to guarantee perfectly levelled floors simply and quickly, eliminating any unevenness between the tiles. The levelling system is strongly recommended for laying TYQOON GROUP Tiles.

Instruments required

- Base clip
- Wedge
- Adjustable pliers for installing floors/wall tiles.

Application of the levelling system

POSITIONING THE BASE CLIP:

- (a) After spreading the adhesive, insert the base clip below the TYQOON GROUP tile on the 4 sides.
- (b) Depending on the format of the tile, position one or more supports for each side of the tile.
- (c) Position the tile.

INSERTING THE WEDGE:

- (a) Insert the wedge in the slot of the support, taking care not to exceed the breaking point.
- (b) To make inserting the wedge easier, it is recommended to use the adjustable pliers.

REMOVING THE SUPPORT:

- (a) Once the adhesive has dried, the protruding part of the support can be separated from the base clip by tapping with your foot in line with the joint.

GENERAL ADVICE FOR GROUTING

Pay attention while choosing joint sealants: check the technical sheets, choose them shade matched and follow carefully the recommended cleaning times, as many new generation coloured sealants contain pigments and additives that can be very strong. For polished/glossy surfaces do not use epoxy grouts or synthetic based flexible mortars (Flexfughe) and do not add additives/latexes to the grout, as they make the removal of residues with standard detergents very difficult. However, should you decide to use them, it is recommended to make a previous test off site

CLEANING AND MAINTENANCE

Introduction

All TYQOON GROUP materials are easy to clean and maintain. Regular cleaning highlights the aesthetic features of the material and gives the floor an exceptional shine.

Initial Cleaning

The initial cleaning done immediately after the flooring laid is of essential importance for removing all mortar, adhesives and epoxy residues that may be left in the joints. In this initial phase, we recommend that you use an acid product such as DETERDEK, in a 1:5 concentration. Rub energetically to obtain the maximum cleaning. After washing the floor, which is just as important, rinse thoroughly with plenty of water to remove all traces of the detergent used. These steps are recommended for all TYQOON GROUP collections.

Maintenance And Care

Thanks to the characteristics of the production process (high firing temperature, raw materials of great quality, sinterizing process), the surface of TYQOON GROUP material is waterproof (the water absorption is minimum). Therefore the dirt cannot penetrate but it is necessary to remove it from the surface. For this procedure do not use detergents containing waxes or waxing products, in order to avoid the forming of greasy layers; for choosing the most appropriate detergent refer to the following chapters. After the installation of floors, particularly of those made with polished materials, the surfaces should be adequately protected with particle board or other suitable materials in order to protect them from dirt and on-site processing. This prevents damage caused by subsequent processing

General Recommendations

For commercial and heavily used surface areas such as airports, hospitals, supermarkets, and any public spaces with heavy foot traffic which are thus subject to considerable soiling, it is necessary to use automatic cleaning machines with suction of the washing liquids. This allows not only deep cleaning, but also the continuous removal of liquids containing substances that cause soiling, thus preventing the formation of films which are very difficult to remove. Any detergent on the market can be used in the desired concentration for cleaning the high technology sinterized TYQOON GROUP products, with the exception of HYDROFLUORIC acid (HF) or its compounds, according to UNI-EN 176 standards. In order to keep costs limited and speed up maintenance operations, the concentration of the detergent must always be as low as possible. For raised floors we suggest to choose bright or polished surfaces in large sizes: these materials can be dry cleaned or with the minimum use of liquids. After the floor is laid it is necessary to make a very accurate initial cleaning with proper products.

Mat Materials

For these materials, after completing the steps described in the section "Initial Cleaning", you only need to clean the floor with hot water containing small quantities of an alkaline detergent such as FILL CLEANER in a concentration 1:200. On these types of surface it is not advisable to apply a waterproofing product: the absence of porosity causes the water proofing agent to deposit on the surface in an uneven way and to have unpleasant aesthetic effects.

Technical Specification

CHARACTERISTIC	STANDARD AS PER ISO13006:2012/ EN14411 Gr.BIa	STANDARD AS PER IS15622:2017 Gr.BIa	MEAN VALUE OF TYQOON GROUP	TEST METHOD
Regulatory Properties				
Deviation in Length and Width	±0.50 %	±0.10 %	± 0.10 %	ISO 10545-2 & IS 13630-1
Deviation in Thickness	±5.0 %	±5.0 %	± 4.0 %	ISO 10545-2 & IS 13630-1
Straightness in Side	±0.50 %	±0.10 %	± 0.10 %	ISO 10545-2 & IS 13630-1
Rectangularity	±0.60 %	±0.10%	± 0.10 %	ISO 10545-2 & IS 13630-1
Surface Flatness Central Curvature	±0.50 %	±0.50 %	± 0.10 %	ISO 10545-2 & IS 13630-1
Surface Flatness Edge Curvature	±0.50 %	±0.50 %	± 0.10 %	ISO 10545-2 & IS 13630-1
Surface Flatness Warpage	±0.50 %	±0.50 %	± 0.10 %	ISO 10545-2 & IS 13630-1
Surface Quality	>95% defects free	>95% defects free	>95% defects free	ISO 10545-2 & IS 13630-1
Small Color Difference	N.A.	N.A.	N.A.	ISO 10545-16
Glossiness (With Nano Polished)	As per Manufacturer	As per Manufacturer	> 90° **	Gloss Meter 60°
Glossiness (Without Polished)	As per Manufacturer	As per Manufacturer	7°< Gloss <14°**	Gloss Meter 60°
Glossiness (Satin Finished)	As per Manufacturer	As per Manufacturer	15°< Gloss <25°**	Gloss Meter 60°
Structural Properties				
Water Absorption	≤0.50 %	≤0.080 %	≤0.050 %	ISO 10545-3 & IS 13630-2
Bulk Density	>2.00 g/cc	Min. 2.20 g/cc	>2.28 gm/cc	DIN51082 & IS 13630-3
Massive Mechanical Properties				
Modulus of Rupture (For 9mm,10mm & 12mm)	Min. 35.0 N/mm ²	Min. 35.0 N/mm ²	Min. 37.0 N/mm ²	ISO 10545-4 & IS 13630-6
Modulus of Rupture (For 16mm & 20mm)	Min. 35.0 N/mm ²	Min. 35.0 N/mm ²	Min. 42.0 N/mm ²	ISO 10545-4 & IS 13630-6
Breaking Strength Thickness ≥7.5	Min. 1300.0 N	Min. 1300.0 N	Min. 1600 N	ISO 10545-4 & IS 13630-6
Breaking Strength Thickness ≥7.5(For 10mm & 12mm)	Min. 1300.0 N	Min. 1300.0 N	Min. 2000 N	ISO 10545-4 & IS 13630-6
Breaking Strength Thickness ≥7.5(For 16mm & 20mm)	Min. 1300.0 N	Min. 1300.0 N	Min. 7500 N	ISO 10545-4 & IS 13630-6
Surface Mechanical Properties				
MOH'S Hardness	Min. 6	Min. 5	Min. 7***	EN 101 & IS 13630-13
Deep Abrasion Resistance	Max. 175 mm ³	Max. 140 mm ³	Max. 132 mm ³	ISO 10545-6 & IS 13630-12
Thermal Hygrometric Properties				
Moisture Expansion	Max. 0.6 mm/m	Max. 0.02 mm/m	NIL	ISO 10545-10 & IS 13630-3
Thermal Expansion(COE) at 100°C	As per Manufacturer	Max. 6.0 x 10-6	Max. 6.0 x 10-6	ISO 10545-8 & IS 13630-4
Thermal Shock Resistance	Min. 10 Cycle	Min. 10 Cycle	Min. 10 Cycle	ISO 10545-9 & IS 13630-5
Impact Resistance(COR)	As per Manufacturer	Min. 0.55	Min. 0.55	ISO 10545-5 & IS 13630-14
Frost Resistance	As per Manufacturer	As per Manufacturer	Frost Proof	ISO10545-12 & IS 13630-10
Chemical Properties				
Resistance to Staining Unglazed	As per Manufacturer	Min Class II	Min,Class 4/Min. Class II	ISO 10545-14 & IS 13630-8
Resistance to Household Chemicals & Swimming PoolSalts Unglazed	Min. Class UB	As per Manufacturer	Min. Class UB/Min. Class A	ISO 10545-13 & IS 13630-7
Resistance to Low Concentrate Acid and AlkalisiUnglazed	As per Manufacturer	As per Manufacturer	Min. Class ULB****/ Min. Class A****	ISO 10545-13 & IS 13630-7
Resistance to High Concentrate Acid and AlkalisiUnglazed	As per Manufacturer	As per Manufacturer	Min. Class UHB****/ Min. Class A****	ISO 10545-13 & IS 13630-7
Safety Properties				
Skid resistance(DCOF-DRY)	As per Manufacturer	As per Manufacturer	>0.40	ISO 10545-17
Slip resistance(DCOF) { R Value } #	As per Manufacturer	As per Manufacturer	N.A.	ISO 10545-17
Fire Resistance	As per Manufacturer	As per Manufacturer	Fire Proof	N.A.

** Glossiness 90 with nano technology *** Without nano technology (Unpolished Vitrified files) Depending on Application area (low or high intensity of traffic) **** Except Hydrofluoric Acid & it's compound
As per customer requirement

Packing Details

SIZE	ACTUAL SIZE	THICKNESS	TILES / BOX	COVERAGE AREA / BOX
80x240cm	798x2398mm	15mm	1 pcs.	1.92 sq. mtr. 20.66 sq. ft.
1200x2400mm	1198x2398mm	15mm	1 pcs.	2.88 sq.mtr. 31 sq.ft.



HEADQUARTER OFFICE:
Office-02 , Maruti Chamber,
B/h. Ceramic Plaza, 8-A NH,
Morbi-363642,Gujarat-India.

LET'S TALK:
+91 99097 99399
+91 95123 40309
+91 95123 40308 (Helpline Number)

E-MAIL US:
info@tyqoon.in
export@tyqoon.in

WEB SITE:
www.tyqoon.in